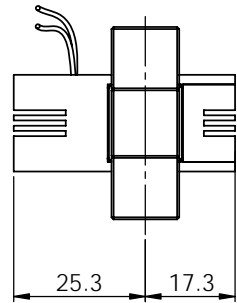
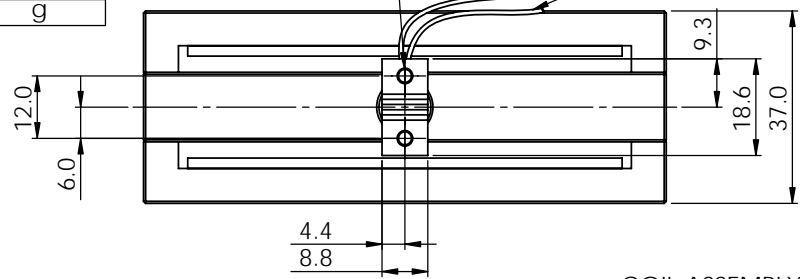
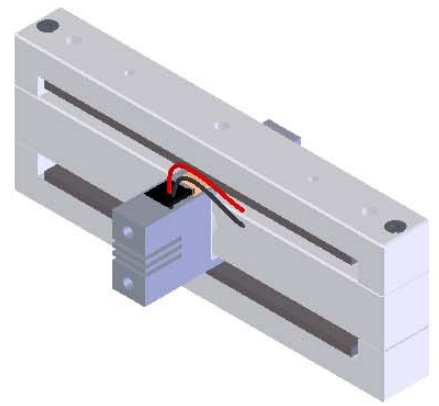
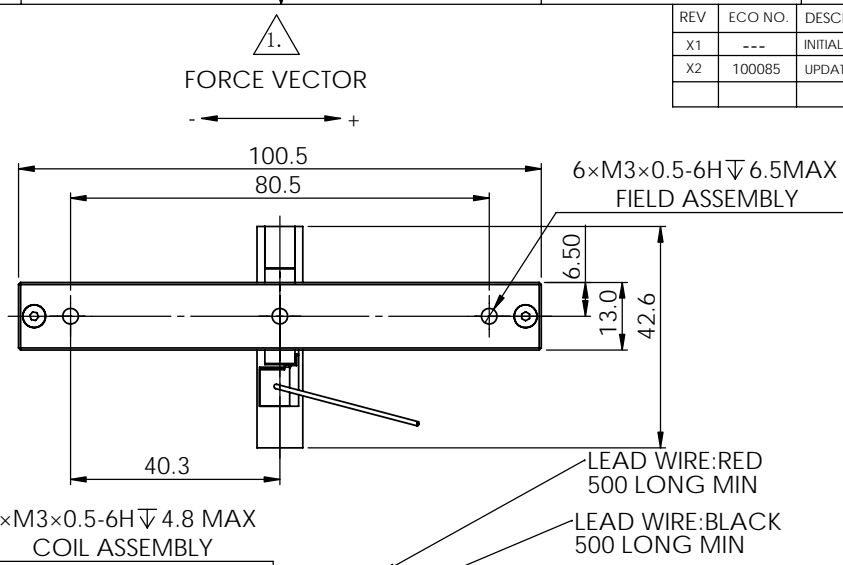


WINDING CONSTANT	TOL	SYM	VALUE	UNITS
DC RESISTANCE	± 10%	R	7.0	OHMS
VOLTAGE @ Fp	NOMINAL	Vp	11.3	VOLTS
CURRENT @ Fp	NOMINAL	Ip	1.6	AMPS
FORCE SENSITIVITY	± 10%	Kf	1.3	N / A
BACK EMF CONSTANT	NOMINAL	Kb	1.3	V/M/Sec
INDUCTANCE*****	± 30%	L	0.9	mH
ACTUATOR PARAMETER		SYM	VALUE	UNITS
PEAK FORCE *		Fp	2.1	N
CONTINUOUS FORCE **		Fc	1.3	N
CONTINUOUS FORCE WITH HEAT SINK		Fc	2.1	N
ACTUATOR CONSTANT		Ka	0.49	N/A
ELECT TIME CONSTANT		Te	0.13	milli-sec
POWER I ² R@Fp		Pp	18.2	W
TOTAL STROKE		S	74.7	mm
CLEARANCE ON SIDE OF COIL		CL	0.5	mm
THERMAL RESISTANCE ***		Θth	17	C / W
THERMAL RESISTANCE WITH HEAT SINK****		Θth	6.1	C / W
MAX WINDING TEMP		Tmax	150	C
WEIGHT OF COIL ASSEMBLY		WTc	16	g
WEIGHT OF FIELD ASSEMBLY		WTF	320	g
WEIGHT OF ACTUATOR		WTA	336	g

* 10 sec @ 25C ambient, 150C coil temp.
 ** 25C ambient, 150C coil temp.
 *** In free air.
 **** Measured with 250x250x10mm heat sink.
 ***** Measured with BK PRECISION 875B.

REV	ECO NO.	DESCRIPTION	DRN	APP'D	Q.A	DATE
X1	---	INITIAL RELEASE	BWZ	WYG	LBO	07-04-23
X2	100085	UPDATE DATA SHEET TO REFLECT TEST RESULT	BWZ	WYG	LBO	07-10-18



2. INSULATION RESISTANCE: 100 MEGOHMS MINIMUM AT 500 VDC.
 ▲ A POSITIVE (+) VOLTAGE APPLIED TO THE RED LEAD WILL PRODUCE A FORCE ON THE COIL ASSEMBLY IN POSITIVE (+) DIRECTION.
 NOTES: UNLESS OTHERWISE SPECIFIED

PROPRIETARY AND CONFIDENTIAL
 THE INFORMATION CONTAINED IN THIS DRAWING IS THE SOLE PROPERTY OF USAS MOTION - SUZHOU, CHINA. ANY REPRODUCTION IN PART OR AS A WHOLE WITHOUT THE WRITTEN PERMISSION OF USAS MOTION - SUZHOU, CHINA IS PROHIBITED.

UNLESS OTHERWISE SPECIFIED:		NAME	DATE	Suzhou, China
DIMENSIONS ARE IN MM		DRAWN	BWZ 07-04-23	
TOLERANCES:		CHECKED		
ANGULAR: MACH ±0° 30'		ENG APPR.	WYG 07-04-23	
ONE PLACE DECIMAL ±0.25		MFG APPR.		
TWO PLACE DECIMAL ±0.1		Q.A.	LBO 07-04-23	
INTERPRET GEOMETRIC TOLERANCING PER: ANSI Y14.5M-1982.		COMMENTS:		
DO NOT SCALE DRAWING				
TITLE:		<h1>LINEAR ACTUATOR</h1>		
SIZE B				
DWG. NO. VLS0002-0747-00A		REV X2		
SCALE: 1: 1		SHEET 1 OF 1		